

TECHNICAL SPECIFICATIONS 技術規格

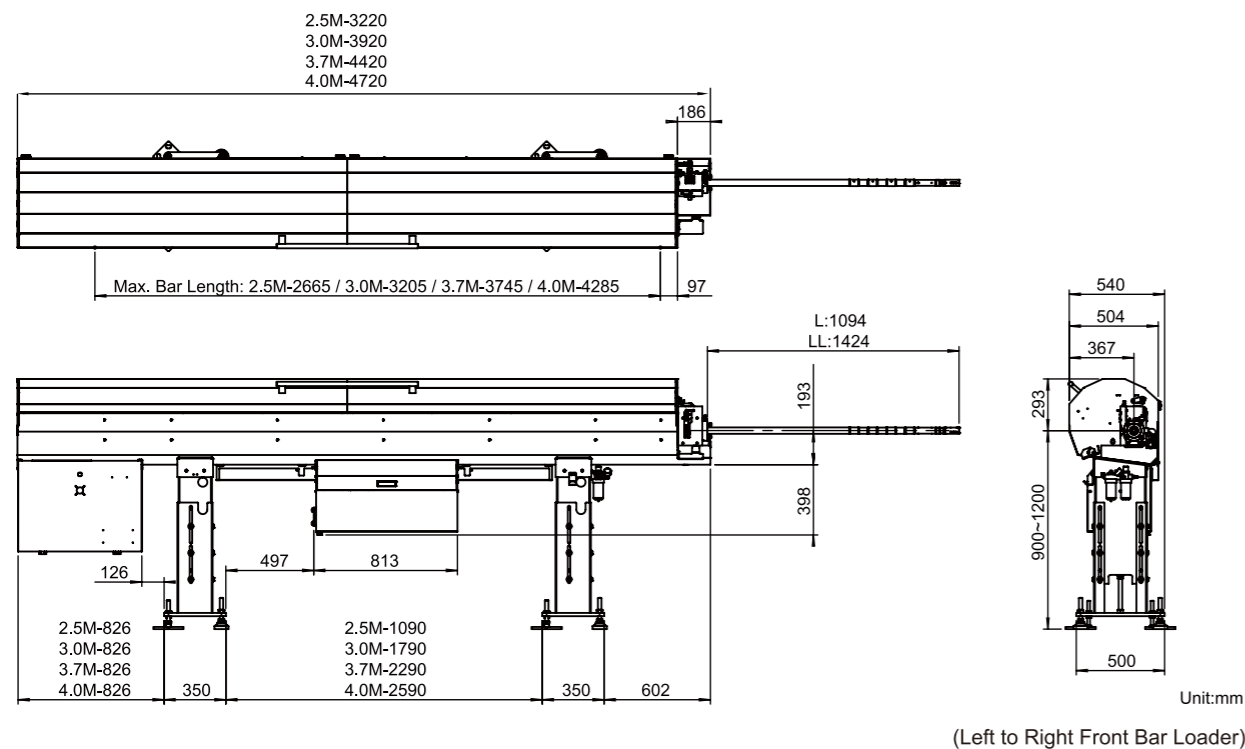
GT 342					
Diameter 直徑	mm	ø 3 – 42 (Bar end preparation will be required for some maximum diameters 部份規格須進行端面修料以達最大棒材直徑)			
Model 機型	M	2.5	3.0	3.7	4.0
Magazine capacity 棒材容量		ø 10 mm x 28 pcs			
Overall length 機台長度	mm	3220	3920	4420	4720
Overall width 機台寬度	mm	540			
Max. bar length 最長棒材長度	mm	2665	3205	3745	4285
Air pressure 空壓	kg/cm <sup>2</sup>	5~7			
Power supply 電源供應		220V 3p (Varying power supply is available depending on applications 視應用條件·可選配不同電源供應)			
Spindle Height 主軸高度	mm	900 ~ 1200			
Headstock Type 車床型式		Fixed / sliding 走刀/ 走心式			

Options 選配

Telescopic Tube 伸縮套管、Synchronization Device 同步裝置

2-position Z-axis Retraction System 雙安全開關Z軸移動裝置

FLOOR PLAN 外部尺寸 (mm)



This product is completed operation and product liability insured.  
本產品已投保瑞士法郎100萬(約新台幣3200萬)產品責任險·請安心使用

Design and specifications are subject to change without prior notice.  
本公司不斷研究創新·設計規格如變更恕不另行通知



LNS Taiwan Co., Ltd. 台灣艾恩司股份有限公司  
No.133, Lane 418, Sec. 3, Xinan Rd., Wuri  
District, Taichung City 41469, Taiwan  
41469 台灣台中市烏日區溪南路三段418巷133號  
Tel: +886-4-2335-4920 sales@LNS-asia.com  
Fax: +886-4-2335-2056 www.LNS-asia.com

Subject to modifications/GT342-EN&CN/01-19

AUTOMATIC BAR FEEDING SYSTEM FOR FIX  
AND SLIDING HEADSTOCK LATHES  
走刀或走心式車床棒材自動送料機

Diameter range 棒材適用直徑: 3 – 42 mm



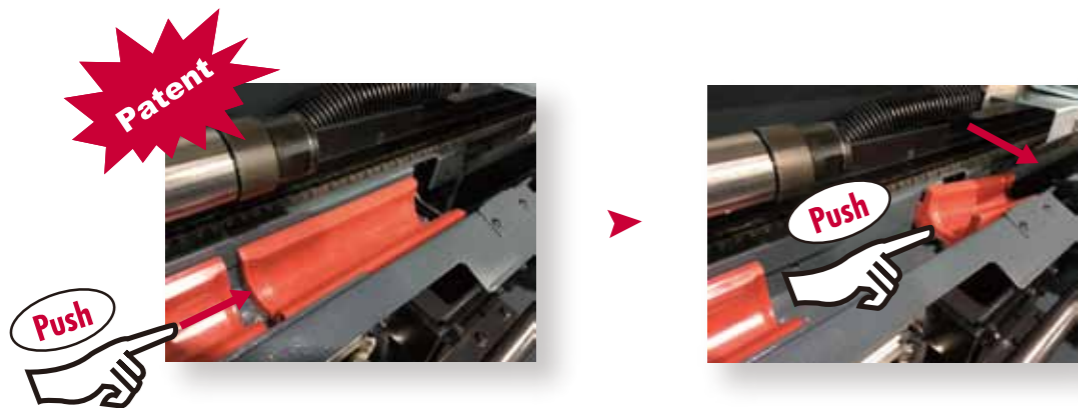
YOUR ONE-STOP-SHOP  
FOR MACHINE-TOOL PERIPHERALS

## Optimum Guiding & Quick Changeover

New design of solid steel structure housing combined with the polyurethane guiding channel dampens vibrations to ensure optimum performance during the whole machining process. With quick change device, the channel and pusher set changeover can be finished in 4 minutes.

### 送料品質最佳化之快拆式膠管(專利)

全新設計的金屬料槽結構搭配優質的PU送料料管，能有效地抑制震動，確保送料機於高轉速的加工狀態下，發揮極致的性能表現。快拆式設計，可於4分鐘內完成膠管壓棒組更換。



## Bar Diameter Changeover

An auxiliary reference scale and central controlled system with loading fingers provides precise basis for bar diameter adjustment, choose corresponding diameter scale for bar stocks to reach the best loading position. With innovative design, only one step and one hand, the changeover operation can be finished by 2 seconds.

### 棒材直徑更換

輔助參照量尺與統一控制的下料機構提供精準的調整依據，選擇對應的棒材尺寸間距即可將棒材快速調整至最適當的下料位置；特殊創新設計，只需要一個步驟，即可在兩秒內單手完成操作。



## Sectional Guiding Channel Cover

Unique fully-closed channel integrated with multiple sectional guiding channel cover controlled by several independent cylinders ensures ideal guiding system of bar stocks in rotation at high RPM. The sectional channel cover will open separately when pusher moves to the position and pass without interference. Depend on the different length of model, the number of channel covers is from 2 to 4.

### 分段式料蓋

全閉式的獨特膠管設計加上由各獨立控制汽缸之分段式料蓋，確保棒材在高速加工運轉中，能有緊密的送料空間與及順暢的送料程序。當押棒送料到各段位置之前，料蓋將分段開啟，以利押棒順利通過，不受任何阻礙。根據不同長度的機型，料蓋將分為2至4段。



## Reinforced Self-Centering Clamping Device

Reinforced cylinder integrated with regulator not only intensifies the clamping force but give the most appropriate adjustment for different bar diameter. Special design patent of self-centering clamping device ensures materials place in the center and insertion & extraction smoothly.

### 免調整式高強度夾料裝置(專利)

強化型汽缸有效增加夾料強度，並搭配調節閥可針對各種棒材尺寸做最佳化的調整；特殊專利設計的免調整夾料機構，可確保材料置於夾料中心及插拔料順暢。



## Robust Front Stabilizer

The upgraded front stabilizer with v-shaped guiding elements dampens residual vibration and noise, also provide good support for round bars. No need to change blocks when bar diameter changed that reduces the cost. Refer to the illustration on HMI, easy to adjust the bar diameter of blocks quickly. In addition, for hexagonal and profile bar, there is O-shaped block can be an option to get optimal performance.

### 強健結構之前端防震

前端防震搭配V型夾塊，提供圓形棒材良好的支撐，有效降低棒材轉動時的震盪幅度及其產生的震動噪音，更換棒材尺寸不需更換夾塊，可節省成本。人性化的體貼設計，可參考HMI上的圖解步驟快速的調整防震夾塊位置。針對六角棒及異形材可另選購O型夾塊，提供最佳的效能。



## Touch Screen HMI with Remote Control Box

New user-friendly HMI with colorful touch screen, clear picture and easy operation, immediately reveal alarm messages and detect the machine condition. Illustration is also used to help users to do the trouble shooting and setting modification rapidly. Besides, combined with remote control box which increases the convenience for controlling bar feeder when user is moving.

### 觸控式人機介面與手控盒

新版觸控式彩色人機介面，操作簡單、畫面清晰，立即顯示異常訊息與料機狀態監測，加上圖解步驟讓使用者能夠快速進行狀況排解與變更設定；結合手持控制器，方便使用者移動操作料機。

