

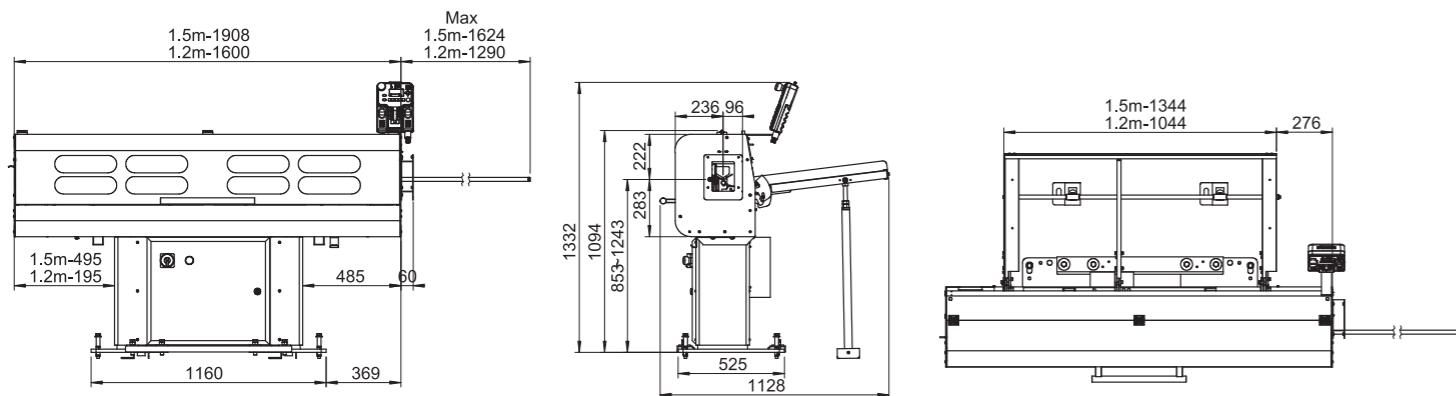
TECHNICAL SPECIFICATIONS 技術規格

SL 65-S			
Diameter 直徑	mm	Ø 5 - Ø 65	
Model 機型	M	1.2	1.5
Magazine Capacity 棒材容量		* Ø 5 mm x 114 pcs	
Overall Length 機台長度	mm	1660	1968
Overall Width 機台寬度	mm	1127	
Max. Bar Length 最長棒材長度	mm	** 1240	** 1540
Weight 重量	kg	348	386
Air Pressure 空壓	kg/cm ²	5 ~ 7	
Power Supply 電源供應		220V 3p (Varying power supply is available depending on applications 視應用條件，可選配不同電源供應)	
Spindle Height 主軸高度	mm	853 ~ 1243	
Headstock Type 車床型式		Fixed 走刀式	
Options 選配			
Support Stand 支撐座、X/Z-axis Retraction System X或Z軸移動裝置			

* The magazine capacity is determined by bar diameter and program setting, please consult with LNS technical personnel.
可用棒材容量與棒材直徑、出機設定有關，請向LNS技術人員諮詢。

** Bar stock length should not exceed the spindle length.
實際使用之棒材長度以不超過車床主軸長度為原則。

FLOOR PLAN 外部尺寸 (mm)



This product is completed operation and product liability insured.
本產品已投保瑞士法郎100萬 (約新台幣3200萬) 產品責任險，請安心使用。

Design and specifications are subject to change without prior notice.
本公司不斷研究創新，設計規格如變更恕不另行通知。



LNS Taiwan Co., Ltd. 台灣艾恩司股份有限公司
No. 133, Ln. 418, Sec. 3, Xinan Rd., Wuri Dist.,
Taichung City 414022, Taiwan (R.O.C.)
414022 台灣台中市烏日區溪南路三段418巷133號
TEL: +886-4-2335-4920 sales@LNS-asia.com
FAX: +886-4-2335-2056 www.LNS-asia.com

Subject to modifications/SL 65-S/TCN&EV/1220

SHORT AUTOMATIC BAR FEEDER

Diameter Range 棒材適用直徑：Ø 5 - Ø 65 mm



YOUR ONE-STOP-SHOP
FOR MACHINE-TOOL PERIPHERALS



User-Friendly Remote Control

Hand held remote control combined with HMI ensures interaction between the bar feeder and the lathe for easy setup and operation. It displays alarm messages and position tracking for quick changeovers and troubleshooting. Easy parameter setting achieves optimal operation.

人性化的手持式控制器

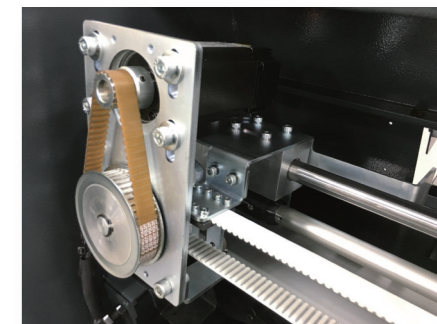
手持式人機介面控制器，確保送料機與車床之間連接順暢，設定簡單操作容易；異常訊息顯示與定位追蹤功能使得換料迅速並幫助異常排除。參數簡易設定達到最佳操作。

Servo Drive

Advanced PLC and servo drive technology allows precise bar feeding control without failure and soft touch against the turret of the lathe.

伺服驅動

先進的伺服驅動技術提供精確的棒材控制，柔性定位控制預防棒材碰撞刀塔。



Quick Bar Diameter Change

Bar diameter change is quickly accomplished in around one minute. Accommodate to hexagonal and square material.

快速棒材交換

交換棒材直徑，約1分鐘可快速完成。亦可適用於六角形與方形棒材。

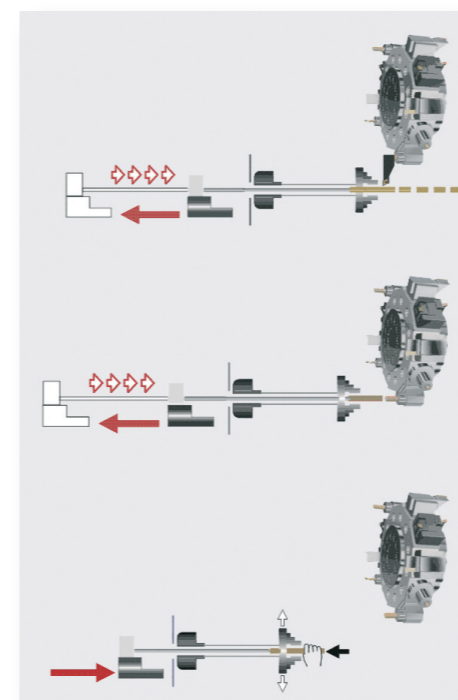


Photoelectron Top Cut Switch

Automatically detect bar stock length and measure Top Cut position.

光學感知切端

自動感測棒材長度，計算切端位置。



Two Working Modes of "Soft Touch" Positioning

1. Without a stopper on the turret:
The feeding position is controlled by the bar feeder.
2. With stopper on the turret:
The feeding position is determined by the lathe, and the bar is stopped by the stopper on lathe.

* When changing manually, the pusher can be used as a stopper.

「柔性」定位兩種工作模式

1. 刀塔無擋塊：由送料機控制送料位置。
2. 刀塔有擋塊：由車床擋塊決定送料位置，棒材藉由擋塊進行定位。

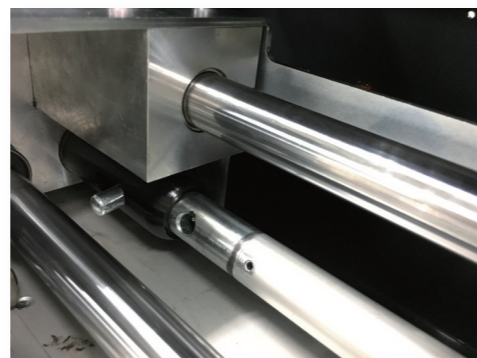
* 手動換料時，壓棒可作為擋塊使用。

"Easy Click" Pushing System

We offer 3 pushers to cover the whole range of bar diameters. The "easy click" system makes pusher changing easily and quickly, without any tools.

快拆式壓棒

我們提供三種壓棒尺寸，適用於所有壓棒直徑範圍；藉由快拆機構可迅速簡易更換壓棒，不須使用任何工具。



Features & Benefits

- Include three pushers to cover entire range of the bar feeder (6mm, 12mm, 20mm)
- Accommodate to most types of material and shapes, such as round, square and hexagon bar stocks.
- Self detection for any abnormal motions and displayed on HMI of remote control.
- Short remnant making material waste minimum.
- Convenient parameter setting without any program modifications.
- Extremely short bar change cycle time.

特色與優點

- 搭配三種不同尺寸壓棒 (6mm, 12mm, 20mm) 以涵蓋所有送料的棒材直徑範圍。
- 適用於各種樣式的材料，如圓形、方形及六角形等棒材。
- 自動異常檢知動作，並顯示於手控盒上的人機介面。
- 殘材短，大幅降低材料浪費。
- 參數設定方便，無需修改任何程序。